

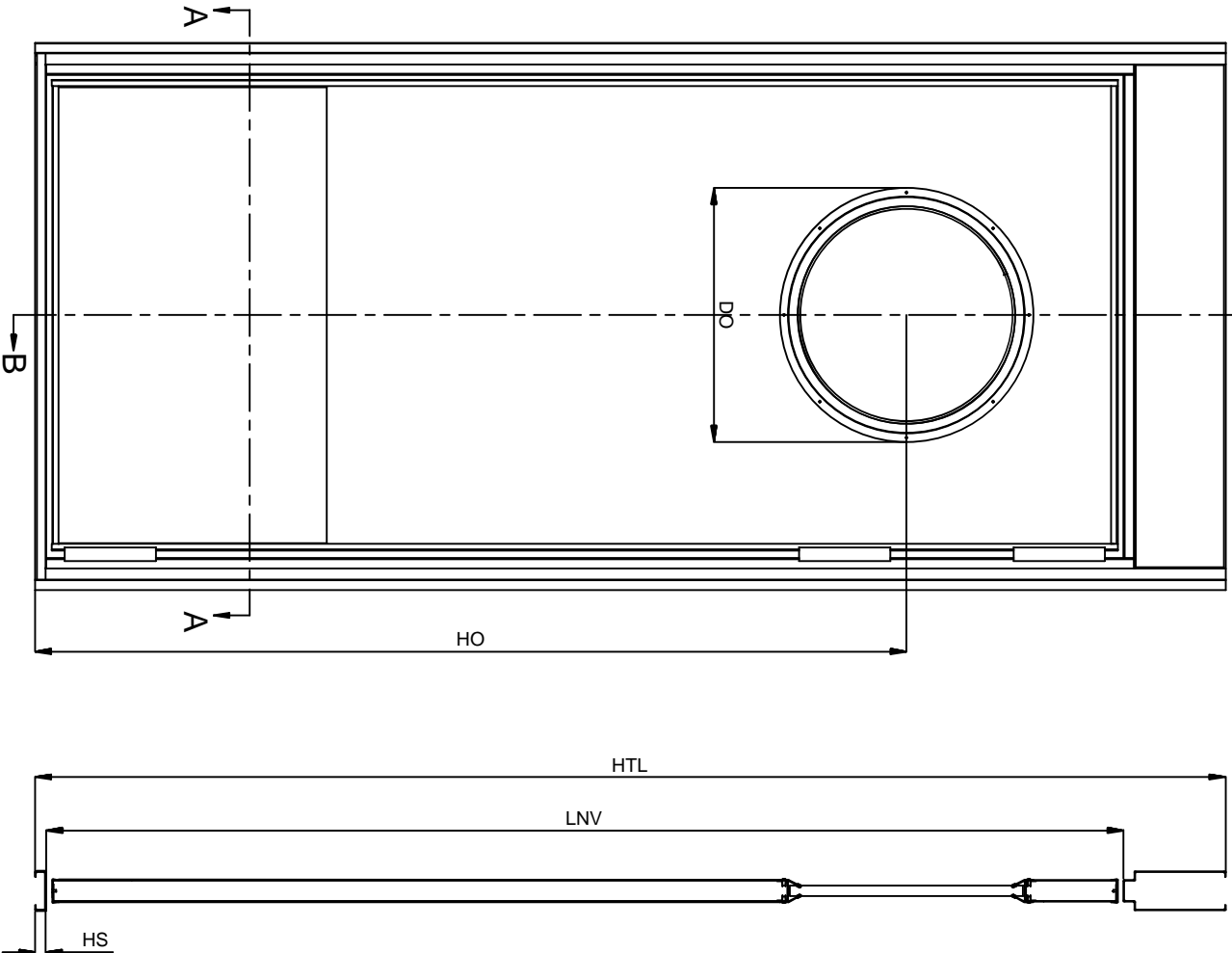


BLIND HINGED DOOR

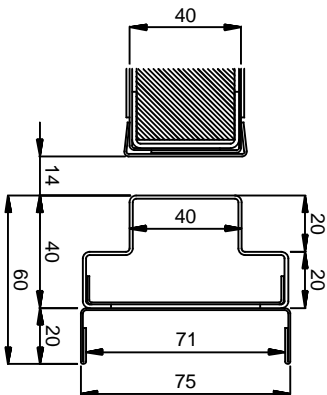
Product data sheet

General Information	
description	hinged, single or double leaf, swing door
type	C00DHB1L
manufacturer	Blu Bud srl
Application	
fire properties	C Class fire resistant
drawing number	C00DHB1L
Size	
max horizontal clear opening (LNO)	no max (standard 900mm)
max vertical clear opening (LNV)	no max (standard 2100mm)
horizontal cut in bulkhead (TFO)	LNO + 40 mm + 10 mm
vertical cut in bulkhead (TFV)	LNV + sill height + over door panel + 5 mm
sill	20 mm
*all dimensions may change according to customer requirements	
Frame	
section shape	see dwg
section size	see dwg
thickness of steel	1,2mm
materials	steel or stainless steel (ss)
finishing	raw, paint, brushed or polished (ss)
counter frame thickness	0,8mm
Leaf	
concept	sandwich
thickness	40 mm
core	one layer of mineral wool
material of skins	steel or stainless steel (ss)
coating	raw, laminates, PVC, brushed or polished (ss)
leaf frame	paint, brushed or polished (ss)
Accessories	
standard	hinges, sill cover
extra	window, ventilation grill and others upon request
Mechanical and physical properties	
noise reduction	n.a.

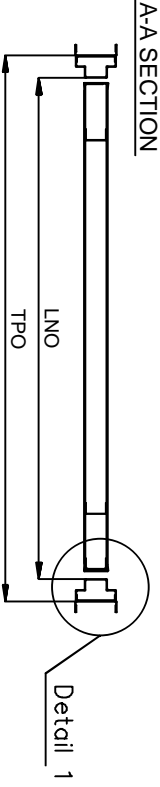
B-B SECTION




Detail 1
scale 1:2



A-A SECTION



REV.	DATA / DATE	DESCRIZIONE DELLE MODIFICHE / DESCRIPTION OF ALTERATIONS	Controllo Checked	Modificato Revised
Codice Prodotto Product Code		C00DHB1L		
Descrizione Description				
BLIND HINGED DOOR - TYPE "SWING"				
Materiale Material		BLUBUD srl	Scala Scale	1:10
Spessore Thickness			Controllato da Checked by	R. V.
Note		Peso netto Kg Net Weight Kg	Disegnato da Drawn by	M.D.S.
Tolleranza generale General tolerance		A4	Assem.	
 <p>BLUBUD srl Sede operativa: Via Dante 277 - 4°/4° Tel. +390103895536 Fax. +390103895537 Sede legale: Via Freschi 209 16121 Genova Italy e-mail: info@blubud.it www: http://www.blubud.it</p>				
<p>Questo disegno non può essere usato o riprodotto senza nostra autorizzazione This drawing cannot be copied, duplicated or disclosed without our permission</p>				
Dis n.		C00DHB1L	Dis n.	C00DHB1L